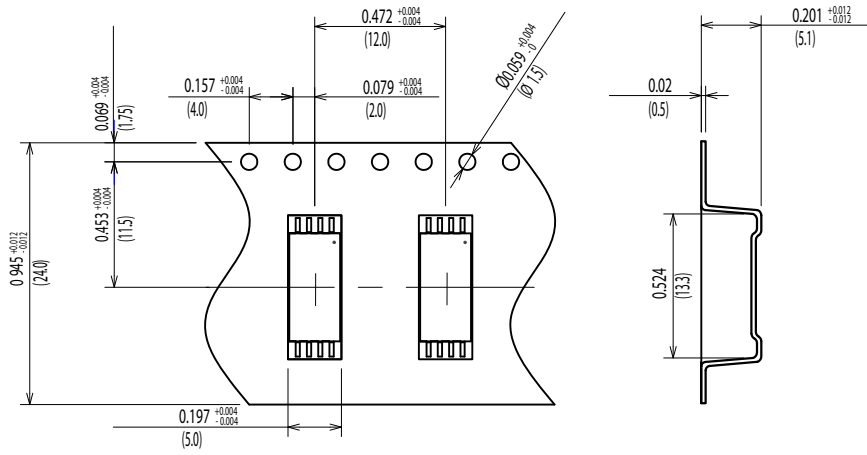
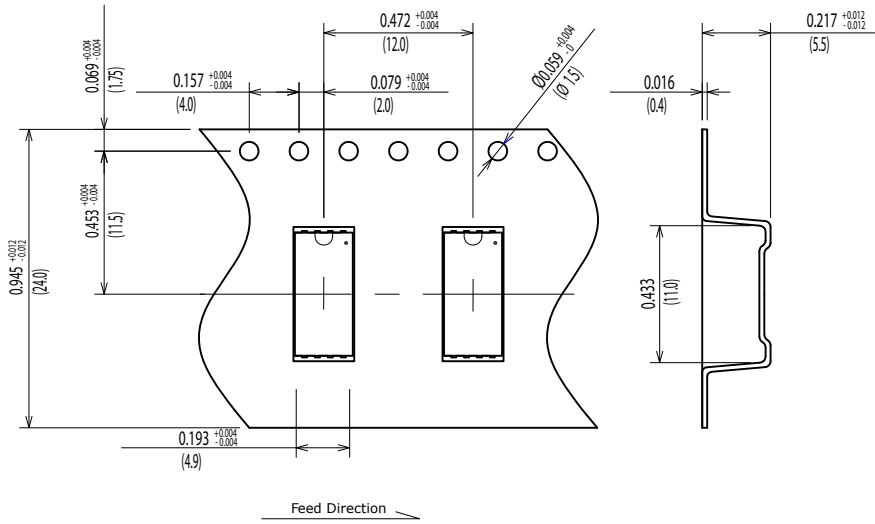


**Dimensions of Tape and Reel All Dimensions are inches(mm)**



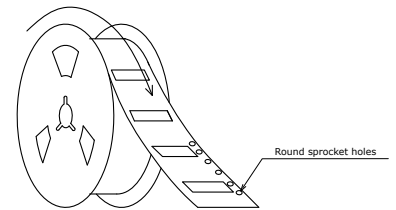
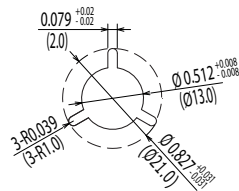
1EH-□4A / 1EH-□4G



1EH-□4J



**Details of the part A**



Packing Quantity: 1,000pcs

Packing conforms to EIA standard EIA-481-2 or EIA-481-3