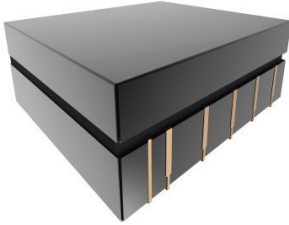


New

1E-2T Series

**Surface Mount
2 Form E**

PRODUCT DESCRIPTIONS



Sanyu has released for the ATE Pin-Electronics differential responsibility reed relays. One SMT package effects assembly space saved 25% compared with Sanyu existing SMT product line. Compared to transfer contact, our 1A + 1B contacts solution provide ultra high performance reliability and credibility.

- Coil Voltage 5.0 and 12.0V
- Reflow Oven Temperature EIA STD J-STD-020D
- RF Performance up to 4.0GHz
- Reliability 300 Million Over
- Impedance 50Ω

SPECIFICATIONS



1E-2T Series		1E-2T□8G		1E-2T□8J		
Parameters	Units	2 Form E				Test Conditions
Coil Specifications						
Nominal Coil Voltage	VDC	5.0	12.0	5.0	12.0	
Coil Resistance	Ω	110	550	110	550	±10% @ 20°C
Operate Voltage	VDC Max	3.75	8.8	3.75	8.8	@ 20°C
Release Voltage	VDC Min	0.7	1.2	0.7	1.2	@ 20°C
Contact Ratings						
Switching Voltage	Volts	100				Max DC/Peak AC resistance
Switching Current	Amps	0.5				Max DC/Peak AC resistance
Carry Current	Amps	1.0				Max DC/Peak AC resistance(@30°C)
Contact Rating	Watts	10				Max DC/Peak AC resistance
Life Expectancy	x10 ⁶ Cycle	100				@ 1V 10mA
Contact Resistance	mΩ	150				Max initial @ operate voltage
Contact Resistance Stability	mΩ	5.0				Max initial @ operate voltage
Relay Specifications						
Insulation Resistance	Ω Min	10 ¹¹				Between all isolated pins @ 100V 20°C 65%RH
Dielectric Strength (Static)	VDC Min	200				Between contacts
	VDC Min	250				Contacts to shield
	VDC Min	250				Contacts/Shield to coil
Operate Time (Including Bounce)	msec Max	0.3				@ nominal coil voltage
Release Time	msec Max	0.2				100 Hz square wave Diode suppression
Measurement Reference Conditions			Environmental Ratings			
Temp: 15°C to 35°C Humidity: 25% to 75%RH Atmospheric Pressure: 860 to 1060hpa			Storage temp: -40°C to +85°C Operate temp: -20°C to +60°C Vibration: 20G's to 2000Hz Shock: 50G's Processing temp: 260°C max for 60sec. dwell time			

Ordering Code:

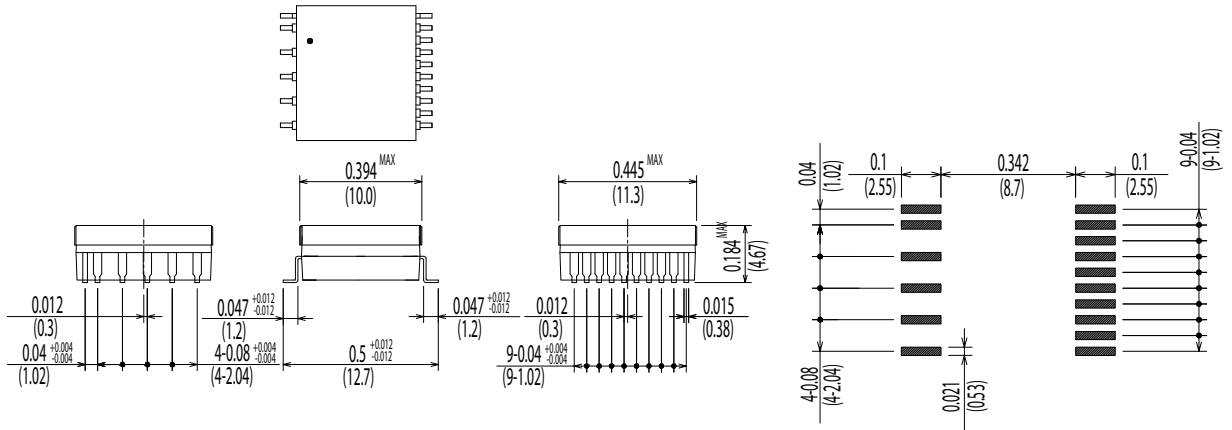
1E-2T□8G, 1E-2T□8J

□=1 (5.0VDC), 2(12.0VDC)

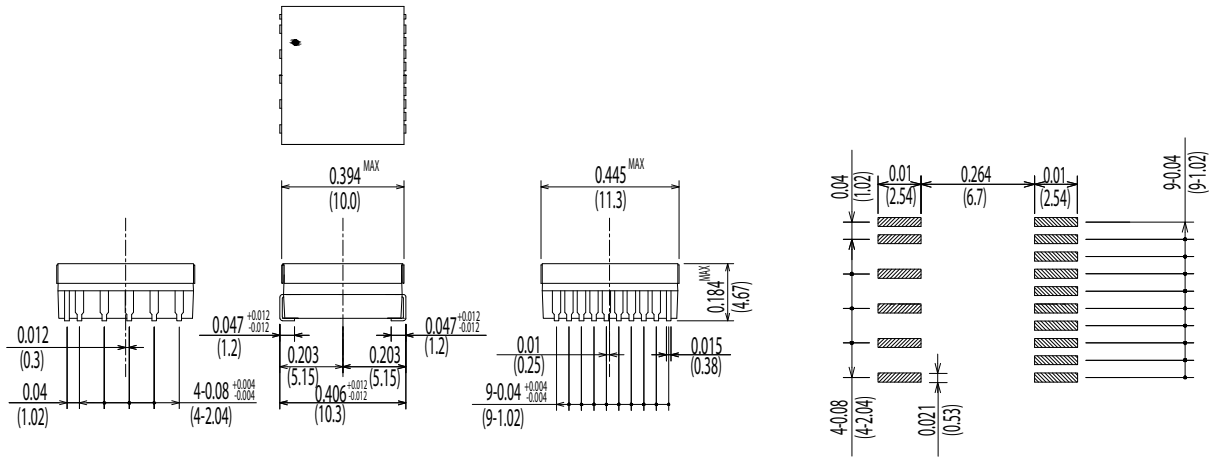
Dimensions All Dimensions are inches (mm)

Land Pattern Recommendation

1E-2T□8G



1E-2T□8J



Schematic <Top View>

1E-2T□8G/J

